

# GD 25 V(G) (PP)

Flow assembly

- Easy to dismantle
- Easy mounting by bonding or 1" female thread



## description

Flow assembly for installation of one conductive sensor LE 44 Pt in pipes with adhesive coupling or pipe coupling DN 25 with 1" female thread. Available in PVC and PP.

## technical data

### measuring parameter

|                           |                                  |
|---------------------------|----------------------------------|
| Conductivity (conductive) | 0 .. 2 $\mu\text{S}/\text{cm}$   |
|                           | 0 .. 20 $\mu\text{S}/\text{cm}$  |
|                           | 0 .. 200 $\mu\text{S}/\text{cm}$ |
|                           | 0 .. 2 $\text{mS}/\text{cm}$     |
|                           | 0 .. 20 $\text{mS}/\text{cm}$    |

### ambient conditions

|               |                 |
|---------------|-----------------|
| max. pressure | 16 bar (PVC)    |
|               | 10 bar (PP)     |
| temperature   | max. 40°C (PVC) |
|               | max. 90°C (PP)  |



# GD 25 V(G) (PP)

Flow assembly

## mechanical construction

material

dimensions

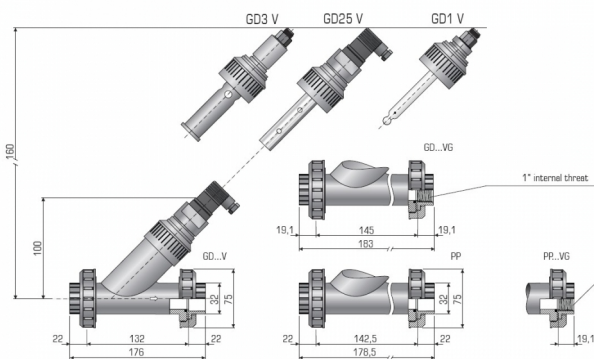
installation

PVC, PP

see dimension drawing

GD 25 V: adhesive coupling

GD 25 VG (PP): pipe coupling DN 25 with 1" female thread



## **order information**

| <u>name</u> | <u>description</u>                                 | <u>article number</u> |
|-------------|--|-----------------------|
| GD 25 V     | adhesive coupling (DN 25), PVC                     | 36604230K             |
| GD 25 VG    | pipe coupling (DN 25) with 1" internal thread, PVC | 36604231K             |
| GD 25 VG PP | pipe coupling (DN 25) with 1" internal thread, PP  | 36604235K             |

