

- Installation of the sensor by threaded connection
- For measuring in pipes



description

PP or PVC Flow assembly for installation of one conductivity sensor IL 15.

information

Picture and drawing show the PP version of the product

technical data

measuring parameter

Conductivity (inductive)	0 .. 2 mS/cm
	0 .. 20 mS/cm
	0 .. 200 mS/cm
	0 .. 2000 mS/cm



GD 40 IL

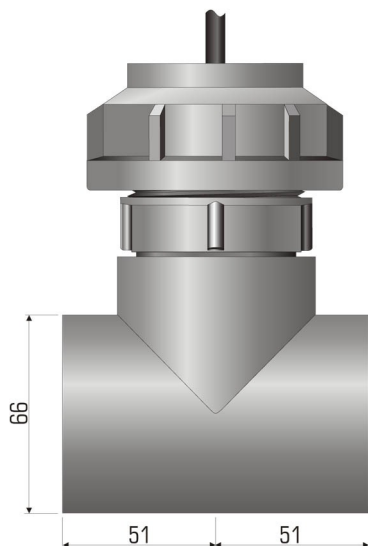
Flow assembly

ambient conditions

max. pressure	PVC: 16 bar (at 20°C) PP: 10 bar (at 20°C)
temperature	PVC: max. 40°C PP: max. 90°C

mechanical construction

material	PP, PVC
dimensions	see dimension drawing
installation	PVC: adhesive coupling DN 50 PP: Welded sleeve DN 50



order information

<u>name</u>	<u>description</u>	<u>article number</u>
GD 40 IL PVC	adhesive coupling	36604026K
GD 40 IL PP	welded sleeve DN 50, PP	36604025K

accessories

sensors

IL 15	Conductivity sensor for the inductive conductivity measurement in Polypropylene (PP) with two internal, circular measuring coils. The sensor is delivered with 6 m cable and internal temperature sensor.
-------	-----------------------------------------------------------------------------------------------------------------------------------------------------------------------------------------------------------

