

# II 15 Inductive conductivity sensor

- Corrosion resistant
- Low maintenance by dirt repulse
- Small robust construction



## applications



Cooling And Boiler Feed Water



Process Water



Waste Water Treatment

## description

Conductivity sensor for the inductive conductivity measurement in Polypropylene (PP) with two internal, circular measuring coils. The sensor is delivered with 6 m cable and internal temperature sensor.

## technical data

### measuring parameter

Conductivity (inductive)	0 .. 2 mS/cm
	0 .. 20 mS/cm
	0 .. 200 mS/cm
	0 .. 2000 mS/cm

### ambient conditions

max. pressure	10 bar (at 20°C)
temperature	0 .. 90 °C

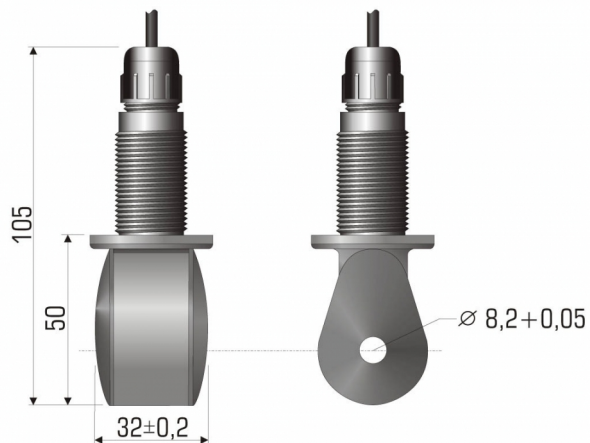


# IL 15 Inductive conductivity sensor

## mechanical construction

shaft material  
temperature sensor

PP  
NTC



## **order information**

<u>name</u>	<u>description</u>	<u>article number</u>
IL 15	inductive conductivity sensor, incl. 6 m cable	26164025K

## **accessories**

### accessories

4-2SCR-IL-10	Extension cable - 10 meter - for the inductive conductivity sensor IL 15
--------------	--

