

- Easy to dismantle
- Ideal for sensors with S8 screw plug-in (PG 13,5)
- Transparent



description

Flow assembly for installation of maximal 3 electrodes (e.g. pH and/ or ORP electrodes and temperature sensors) in pipes.

technical data

ambient conditions

max. pressure 6 bar (at 20°C)
temperature max. 60 °C

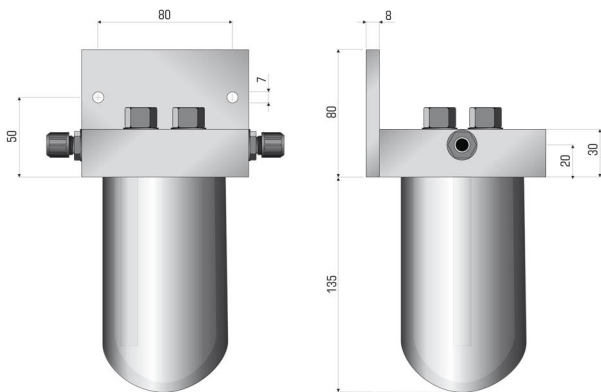
mechanical construction

material PP, Makrolon
dimensions see dimension drawing
installation Fittings 6/8 mm hoses or pipes



GD 43

Flow assembly



order information

<u>name</u>	<u>description</u>	<u>article number</u>
GD 43	for max. 3 sensors	36601171K

accessories

<u>accessories</u>	
Measuring beaker for GD 43	seal ring inclusive

