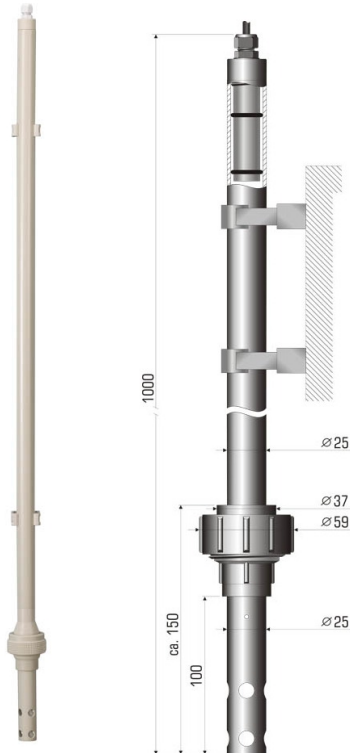


# GE 251 PP

Immersion assembly



- With protective cage to protect the sensor
- Fitting head with cable gland
- Easy access to sensor
- Fastening with pipe clamps

## description

Immersion assembly for installation of one pH or ORP sensor

## technical data

### ambient conditions

temperature

max. 90 °C

### mechanical construction

material

PP

dimensions

see dimensional drawing

## order information

<u>name</u>	<u>description</u>	<u>article number</u>
GE 251 PP	immersion assembly for one pH or ORP sensor	36511020K

## accessories

### accessories

Moisture cap

Moisture cap for GE 23/3 PP

For a longer period pH- and ORP sensor shouldn't dry, the moisture cap avoid this.

