

P17G PASSIVE SEPARATOR

FEATURES:



- For the separation of measuring signals (eg in PLC).
- Thin casing - 6.2 mm.
- Standard d.c. current output signal 0/4 - 20 mA.
- Does not require an auxiliary supply voltage.

INPUT:

0/4..20 mA

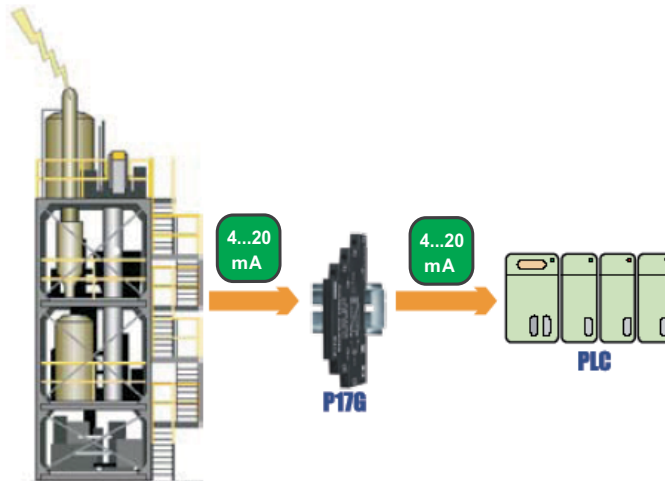
OUTPUTS:

0/4..20 mA

GALVANIC ISOLATION:



EXAMPLE OF APPLICATION



Galvanic separation (protection of PLC controller inputs).

INPUTS

| Input type | Range | Overload | Error |
|------------------|------------|-----------------------------|--|
| Current 0..20 mA | 0 .. 20 mA | Maximal input current 40 mA | Conversion error: +/- 0.2 % Additional errors: - from load resistance changes ≤ 0.15 %/ 100 Ω - from ambient temperature changes: ≤ 0.05 %/ 10°C |
| | 4 .. 20 mV | | |

OUTPUTS

| Output type | Admissible load resistance | Pulsations |
|--------------------------------|----------------------------|------------|
| Current 0 .. 20 mA, (4..20 mA) | $R_{load} < 500 \Omega$ | ≤ 10 mV |

EXTERNAL FEATURES

| | | |
|--------------------|-----------------------------|--------------------------|
| Overall dimensions | 6.2 x 77.5 x 100 mm | |
| Weight | 80 g | |
| Protection grade | ensured by the casing: IP50 | from terminal side: IP20 |
| Fixing | on a 35 mm DIN rail | acc. to EN 60715 |

RATED OPERATING CONDITIONS

| | | |
|--------------------|--------------------------|---------------------------|
| Temperature | ambient: -20...23...65°C | storage: -40...85°C |
| Humidity | < 95% | inadmissible condensation |
| Operating position | any | |

Export department:
 English: +48 68 32 95 302 / 321 / 276 / 386 / 233
 German: +48 68 32 95 305
 French: +48 68 32 95 304
 Russian: +48 68 32 95 321
 Fax: +48 68 32 54 091
 e-mail: export@lumel.com.pl

LUMEL S.A.
 ul. Sulechowska 1
 65-022 Zielona Góra
 WWW.LUMEL.COM.PL

SAFETY AND COMPATIBILITY REQUIREMENTS

| | | |
|--|-----------------|----------------------|
| Electromagnetic compatibility | noise immunity | acc. to EN 61000-6-2 |
| | noise emissions | acc. to EN 61000-6-4 |
| Isolation between circuits | basic | acc. to EN 61010-1 |
| Pollution level | 2 | |
| Installation category | III | |
| Maximal phase-to-earth operating voltage | 50 V | |

INSTALLATION

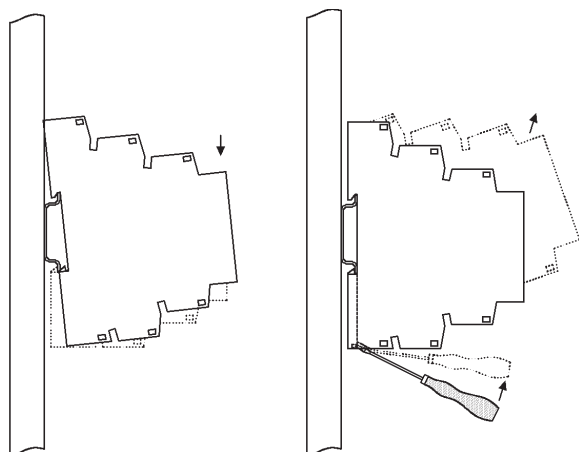


Fig.1. Way of assembling/disassembling on the rail.

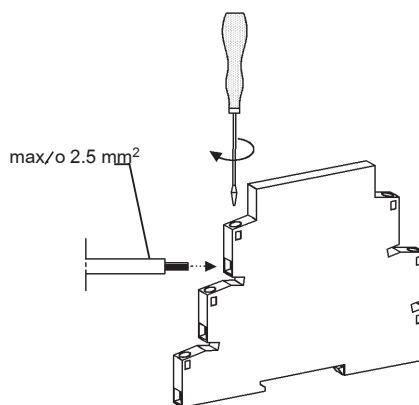
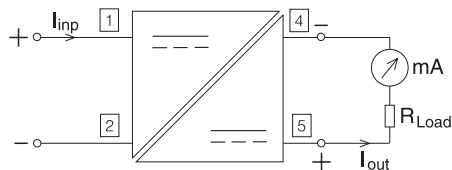


Fig.2. Way of wire fixing.

CONNECTION DIAGRAM



ORDERING

| | | | |
|--|------|----|---|
| | P17G | XX | X |
| Version: | | | |
| standard | | 00 | |
| as per order* | | XX | |
| Acceptance tests: | | | |
| without extra quality requirements | | | 8 |
| with an extra quality inspection certificate | | | 7 |
| acc. to customer's request* | | | X |

* - after agreeing with the manufacturer

ORDER EXAMPLE

The code: **P17G-00-8** means:
P17G - passive separator of P17G type,
00 - standard version,
8 - without extra quality requirements.

SEE ALSO:



Programmable separator P20G.

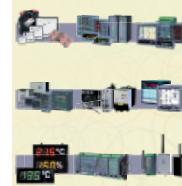


Programmable temperature, resistance, voltage from shunt and standard signals-P20.



2-channel module of analog inputs - SM1.

OUR OFFER



www.lumel.com.pl

For more information about LUMEL's products please visit our website:
www.lumel.com.pl

Export department:
English: +48 68 32 95 302 / 321 / 276 / 386 / 233
German: +48 68 32 95 305
French: +48 68 32 95 304
Russian: +48 68 32 95 321
Fax: +48 68 32 54 091
e-mail: export@lumel.com.pl

LUMEL S.A.
 ul. Sulechowska 1
 65-022 Zielona Góra
WWW.LUMEL.COM.PL