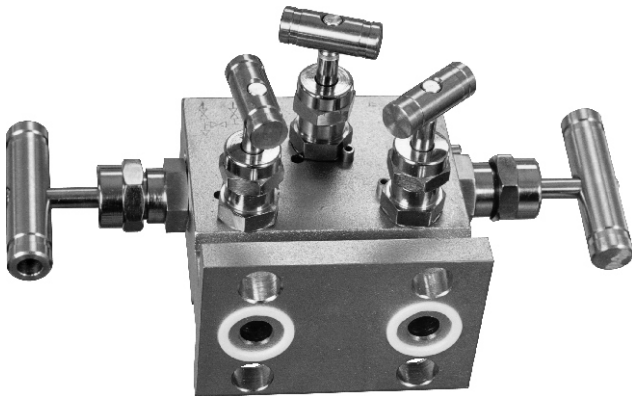
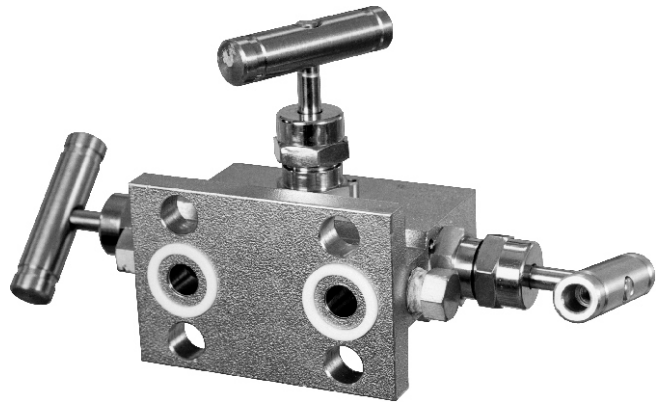


VM-3 and VM-5 valve manifolds

✓ Body material – stainless steel (316ss)



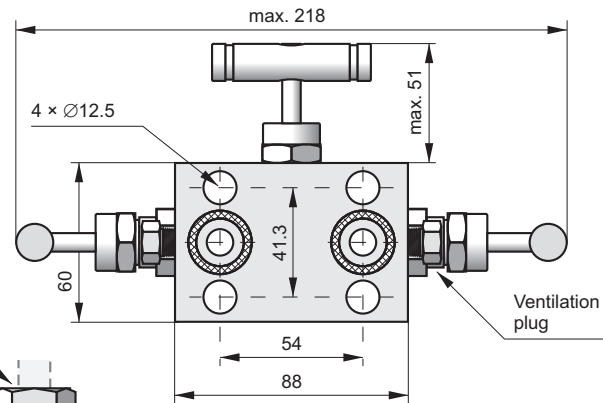
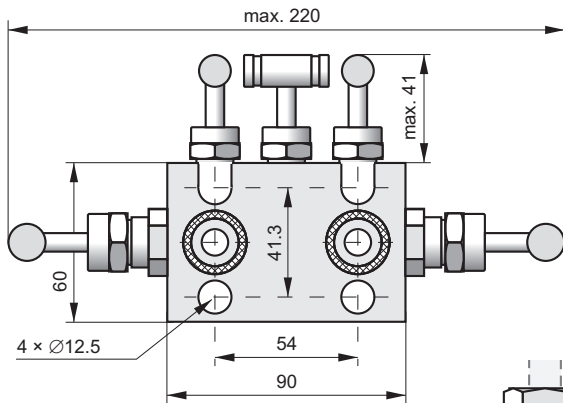
VM-5 valve



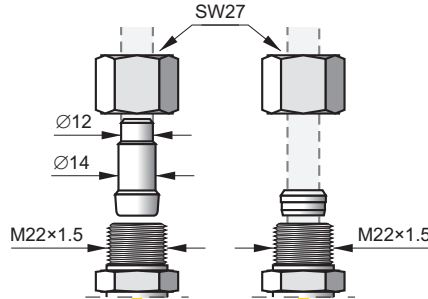
VM-3 valve

Features

3-valve and 5-valve manifolds are used where relative pressure transmitters are installed. They enable essential operations to be performed on the transmitters, such as starting up a transmitter or setting the zero position in conditions of static or atmospheric pressure. The five-valve manifold also enables a calibrator to be connected for metrological testing of the transmitter. The VM-3 and VM-5 have a modern lightweight construction. The high precision of manufacture enables individual valves to be opened and closed easily.

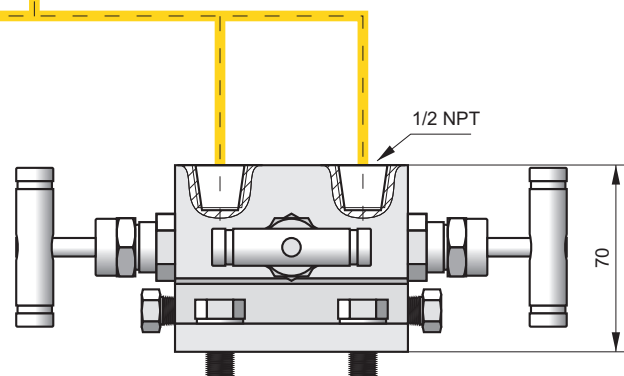
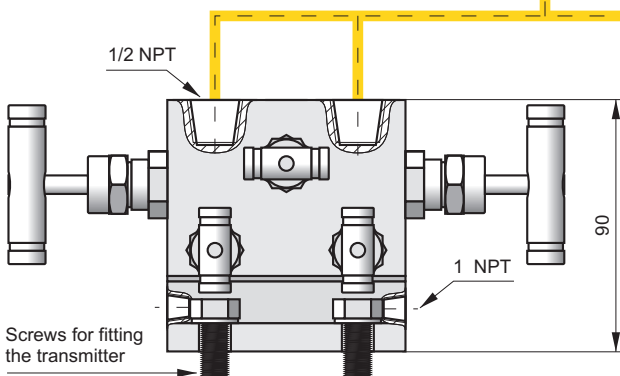


Weldable connector for impulse line made from: stainless steel 316Lss /1/ K11562 steel /2/



Connector for impulse line, made from 316ss stainless steel with a clamping ring:

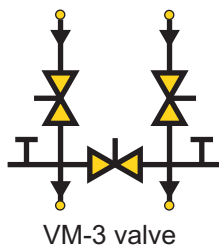
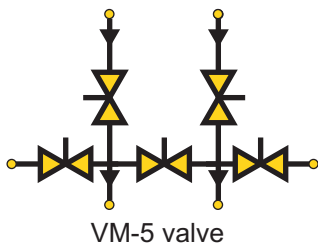
Ø12 /3/
Ø14 /4/



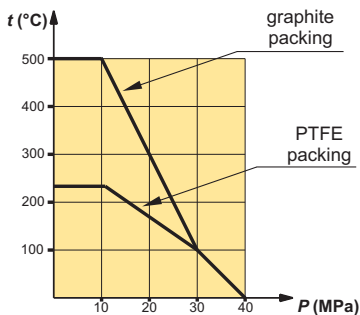
Technical parameters

Maximum pressure	420 bar (according to the graph)
Pin packing	PTFE or graphite
Body material	316ss
Weight: VM-3	1.8 kg
VM-5	2.54 kg
Connectors:	
to the installation	– ½ NPT sockets
to the transmitter	– 54 mm spacing

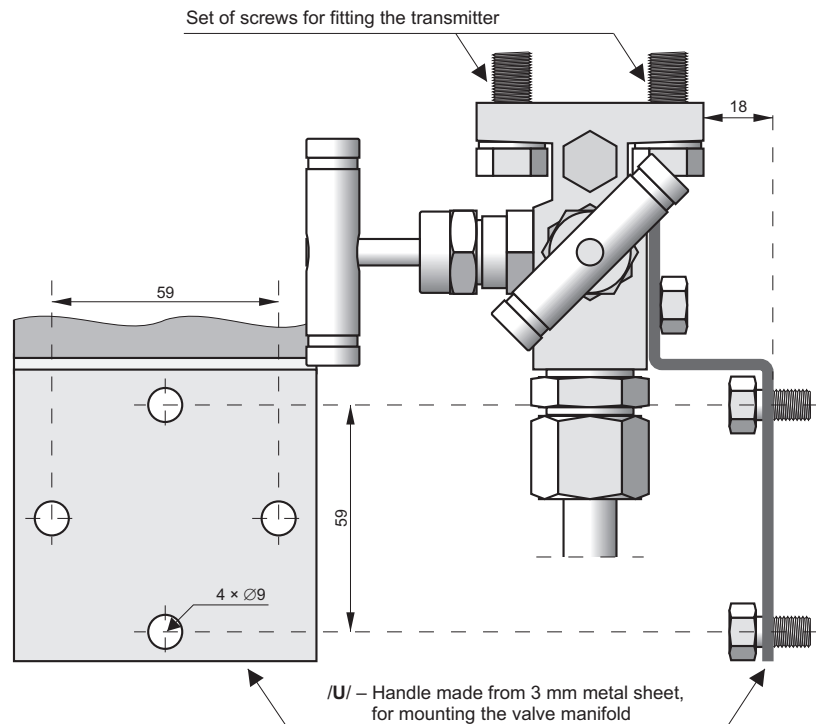
Connection diagrams



Operating pressure range as a function of temperature

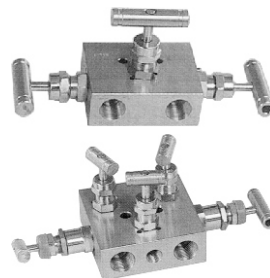


Example of installation of the VM-3 with fitting accessories



Special versions

Versions R



Versions H



Recommendations concerning selection of valves

The standard versions of the valves have Teflon pin packing; a special version is available with graphite packing. The special version should be used only when the valves operate at temperatures in excess of 200°C.

The valve manifold is supplied with seals for the collar-type output points. To order, it can be supplied additionally with a set of M10 or 7/16" screws for fitting the transmitter, connectors for impulse lines and a sheet-metal handle used to mount the valve on the construction.

Ordering procedure

Valve manifolds:

3-valve – **VM-3** / / /
 5-valve – **VM-5** / / /

Special versions:

- H** – constructional versions (only VM-3)
- R** – constructional versions
- Graphite** – graphite pin packing
- Tien** – valve adapted to contact with oxygen
- NACE** – NACE MR-01-75 comply

Additional equipment – description:

Code

Product

A	Set of M10 screws for fitting the transmitter (up to 250 bar)
B	Set of 7/16" × 1" screws for fitting the transmitter (up to 413 bar)
C	Set of 7/16" × 2 ¼" screws for fitting the transmitter with covers type COPLANAR
D	Set of M10 screws for fitting the transmitter (up to 320 bar)
1	Set of weldable stainless steel connectors (316ss)
2	Set of weldable steel connectors (K11562)
3	Set of connectors with Ø12 clamping ring
4	Set of connectors with Ø14 clamping ring
U	Handle for mounting the valve

Fitting accessories - Valves



Needle valve VM-1

Material 316ss
Medium temperature, working pressure – according to the graph on page III/ 7
Ordering code:

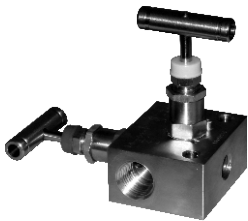
- Valve VM-1/M** (input M20×1.5 M, output M20×1.5 F, Teflon packing)
- Valve VM-1/G** (input G1/2" M, output G1/2" F, Teflon packing)
- Valve VM-1/graphite** (input M20×1.5 M, output M20×1.5 F, Graphite packing)
- Valve VM-1 oxygen** (valve designed for contact with oxygen; input M20×1.5 M, output M20×1.5 F, Teflon packing)



Needle valve VM-1-R/R

Material 316ss
Medium temperature, working pressure – according to the graph on page IV/ 3
Input 1/2NPT F, output 1/2NPT F, Graphite packing, no vent port
Ordering code:

- Valve VM-1-R/R/_**
- 1 – Set of weldable stainless steel connectors (316ss)
 - 2 – Set of weldable steel connectors (K11562)
 - 3 – Set of connectors with Ø12 clamping ring
 - 4 – Set of connectors with Ø14 clamping ring



2-Valve Manifold VM-2

Material 316ss
Medium temperature, working pressure – according to the graph on page IV/ 3
Input 1/2NPT F, output 1/2NPT F, Teflon packing, vent port ¼ NPT F
Ordering code:

- Valve VM-2-R/R/_**
- Valve VM-1-R/R/_**
- 1 – Set of weldable stainless steel connectors (316ss)
 - 2 – Set of weldable steel connectors (K11562)
 - 3 – Set of connectors with Ø12 clamping ring
 - 4 – Set of connectors with Ø14 clamping ring

Option
.../NACE - NACE compliance

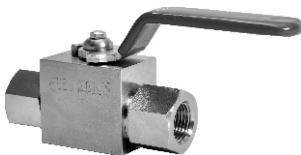


2-Valve Manifold VM-2-RM

Material 316ss
Medium temperature, working pressure – according to the graph on page IV/ 3
Input 1/2NPT F, output 1/2NPT F, Teflon packing, vent port ¼ NPT F
Ordering code:

- Valve VM-2-RM/M** (input M20x1.5 M, output M20x1.5 F, Teflon packing, vent port ¼ NPT F)
- Valve VM-2-RM/G** (input G1/2" M, output G1/2" F, Teflon packing, vent port ¼ NPT F)
- Valve VM-2-RM/1/2NPT** (input 1/2"NPT M, output 1/2"NPT F, Teflon packing, vent port ¼ NPT F)

Option:
.../NACE - NACE compliance

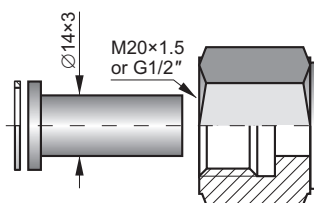


Ball valve

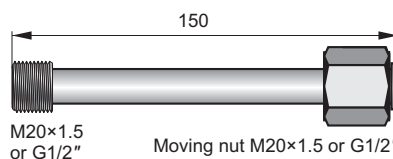
Material – H17N14M2 (316 ss)
Medium temperature - 80°C
Max pressure - 100 bar
Input, output process connection: 1/2NPT F
Ordering code:

Valve VM-1/B

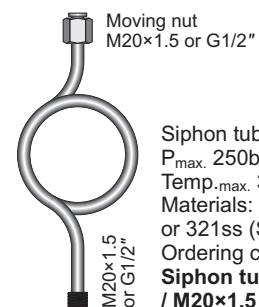
Transmission tubes



Connector to weld
Materials: 15HM – (SO) or 316Lss (S)
Ordering code
RedSpaw – S or SO / M20×1.5 or G1/2"



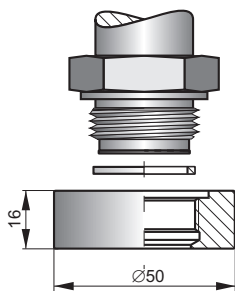
Impulse line
P_{max.} 100bar
Materials: R35 – (SO) or 321ss (S)
Ordering code
Impulse line – S or SO / M20×1.5 or G1/2"



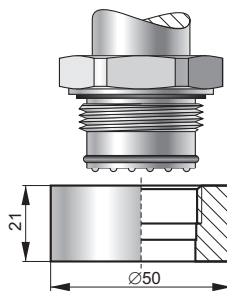
Moving nut
M20×1.5 or G1/2"

Siphon tube
P_{max.} 250bar
Temp_{D.max.} 300°C
Materials: R35 – (SO)
or 321ss (S)
Ordering code
Siphon tube – S or SO / M20×1.5 or G1/2"

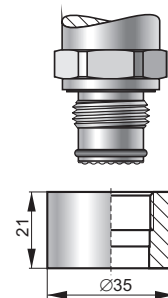
Fitting sockets



Socket with M30×2 thread for fitting transmitters with a CM30×2 process connection
Material – 316Lss
Sealing – teflon
Ordering code **Socket CM30×2**

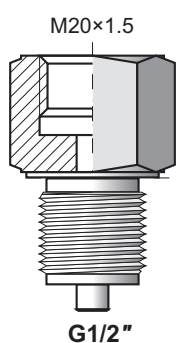


Socket with G1" thread for fitting transmitters with a CG1 process connection
Material – 316Lss
Sealing – teflon
Ordering code **Socket CG1**

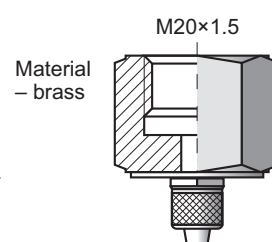


Socket with G1/2" thread for fitting transmitters with a CG1/2 process connection
Material – 316Lss
Sealing – teflon
Ordering code **Socket CG1/2**

Adapters

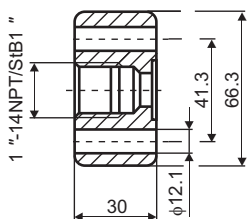
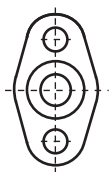
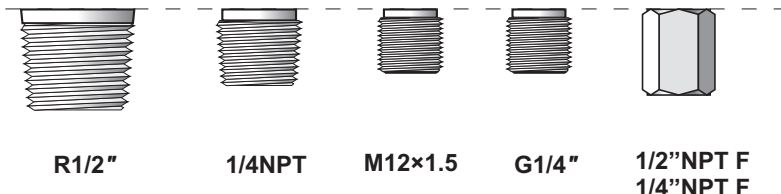


Material – 316Lss (S)
Ordering code: **Red**



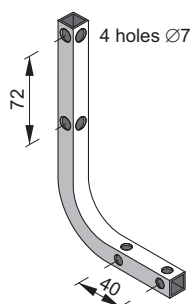
Material – brass

Ø6×1 elastic tube
Ordering code: **RedØ6 – M**

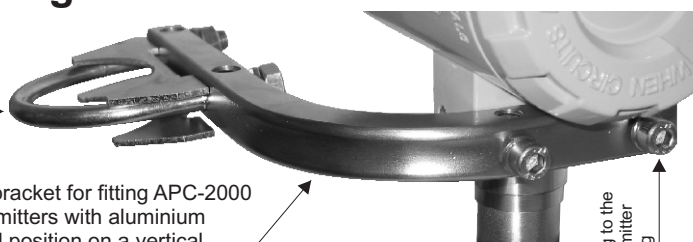


Adapter for differential pressure transmitters with C type process connection
Material – 316Lss
Ordering code: **Red-dP/1/2" NPT**

Mounting brackets



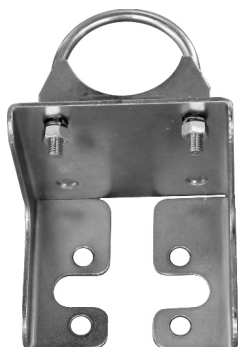
Clasp for fitting on a pipe



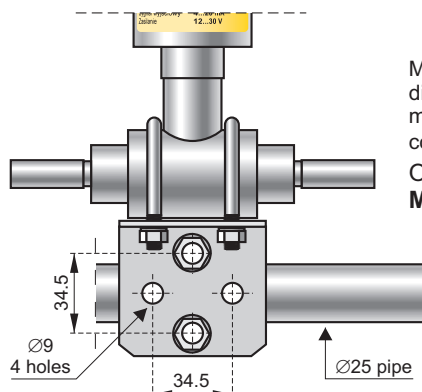
Universal mounting bracket for fitting APC-2000 and APR-2000 transmitters with aluminium casing in any desired position on a vertical or horizontal pipe (Ø30...Ø50)

Ordering code:
AL:material zincd steel
AL(SS):material stainless steel

Fitting to the transmitter casing



Mounting bracket for fitting differential pressure transmitters with C type process connections on a 2" pipe or on a wall
Ordering code:
C-2": material zincd steel
C-2"(SS): material stainless steel



Mounting bracket for fitting differential pressure transmitters with P type process connections on a Ø25 pipe.
Ordering code: **Mounting bracket FI 25**

Notes

